

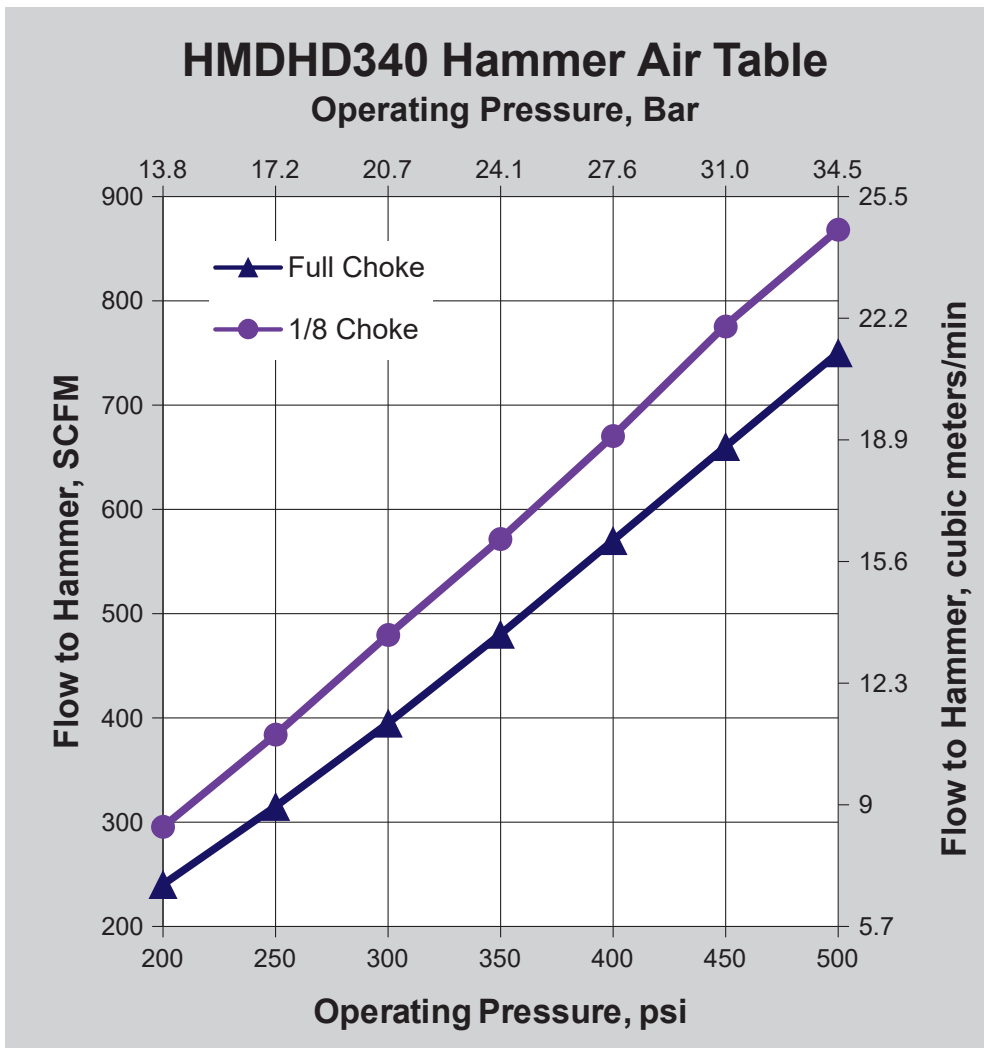
# 4" 340 MD HAMMER-HMDHD340

## HMDHD340:

This High Performance Hammer was designed with production drilling in mind. It is designed best for Water Well and Geothermal drilling, but can be used in blast hole drilling applications.

The HMDHD340's non-ported, air craft quality steel piston is the only moving part in the hammer which limits internal wear and yields maximum penetration rates.

Its wearsleeve is reversible and double heat treated for maximum life.



**MMC RYOTEC Corporation**

A Group Company of MITSUBISHI MATERIALS

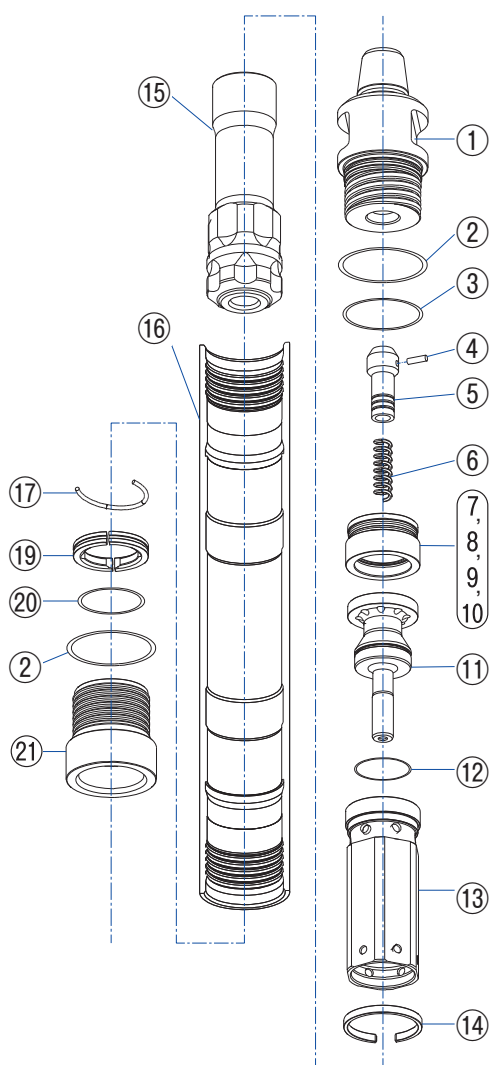
# Hammer Specification

	English	Metric
Outside Dia	3.63 in	92.2 mm
Overall Length Without Bit	43.6 in	1107 mm
Operating Length API shoulder to Bit Face	43.7 in	1110 mm
Total Weight	86 lbs	38 kg
Bore Size	2.95 in	75 mm
Piston Weight	19 lbs	8.5 kg
Drillpipe Connect	2-3/8 Reg API Pin Up others available upon request	
Wrench Flats	3 in	76 mm
Hole Size Range	4 in to 5 in	102 mm to 127 mm
Bit Shank Required	340	
Minimum Air Volume Required	150 cfm	4.5 cmm
Operating Pressure	500 psi	34 bar

# Parts List

Shown at the right side of the chart is the quantity of spare parts that should be kept on hand. Level 1 is for water well drilling, Level 3 is for high production drilling.

HMDHD340



ITEM No	PART No	QTY REQD	PART NAME	WEIGHT		SPARE PARTS ON HAND		
				LBS	KGS	LEVEL 1	LEVEL 2	LEVEL 3
1	HP-BKH-MD409-0011	1	Back Head, 2 3/8" API Reg. Pin Up	16.8	7.6	—	—	1
2	HP-BOW-0038	2	Breakout Washer	0.03	0	—	2	4
3	HP-ORG/BKH-0099	1	O-Ring For Back Head	0.01		1	2	4
4	HP-CST-0053	1	Set of (2) Chokes	0.01		—	—	—
5	HP-CKV-RH4-0046	1	Check Valve Assembly	0.1	0.05	—	—	1
6	HP-CVS-0052	1	Check Valve Spring	0.01	0	—	1	2
7	HP-GUR-0089	1	Guide Ring, Disc Spring	0.9	0.41	—	—	—
8	HP-DSC-0083	4	Disc Spring	0.13	0.06	—	—	4
9	HP-SPT-0151	1	Spacer Ring, Disc Spring	0.9	0.41	—	—	—
10	HP-ORG/GUR-0114	1	O-Ring For Guide Ring	0.01		—	1	2
11	HP-ADB-MD340-0002	1	Air Distributor	3.3	1.5	—	—	1
12	HP-ORG/ADB-0092	1	O-Ring For Air Distributor	0.01		2	4	6
13	HP-CLD-MD40B-0070	1	Cylinder Body	5.1	2.3	—	1	2
14	HP-RRG/CLD-0137	1	Retaining Ring, Cylinder	0.3	0.1	—	—	—
15	HP-PST-MD40R-0120	1	Piston	18.7	8.5	—	1	1
16	HP-WSV-MD40-0157	1	Wear Sleeve	31.8	14.5	1	2	3
17	HP-RRG/PST-0144	1	Retaining Ring, Piston	0.07	0.032	—	—	—
18	part not used in this hammer							
19	HP-BRR-0030	1	Retaining Ring, Bit	0.5	0.227	—	1	1
20	HP-ORG/BRR-0105	1	O-Ring For Bit Retaining Ring	0.01		1	2	4
21	HP-CHK-MD40R-0056	1	Chuck	6.7	3	2	4	6

THE FOLLOWING PARTS ARE SOLD SEPARATE

—	HP-MUW-0177	Make Up Washer						1
—	HP-RBDKIT-MD40-0184	Rebuild Kit						1

## MITSUBISHI MATERIALS, USA CORPORATION

**California Office**  
3535 Hyland Avenue, Suite 200  
Costa Mesa, CA 92626  
Customer Service: 800.423.1358

**North Carolina Rock Tools Office**  
105 Corporate Center Drive  
Mooreville, NC 28117  
Customer Service: 980.312.3150  
Fax: 704.746.9595  
E-Mail: mmusclt@mmus.com

**Toronto Office**  
3535 Laird Road  
Units 15 & 16  
Mississauga, Ontario, Canada L5L 5Y7  
Main: 905.814.0240  
Fax: 905.814.0245